

We · support · the
i n n o v a t i o n s · o f · c u s t o m e r s

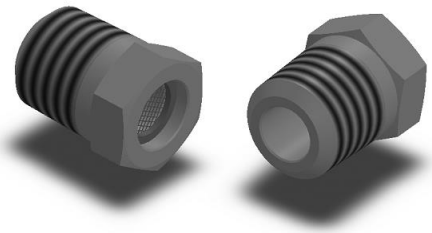
Leak - Proof Flow & Control Solution Partner

The Best Partner
for Value Creation

S-LOK[®] Vent Protector

HanSun

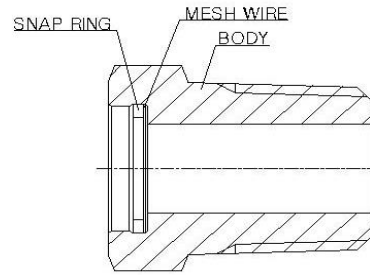
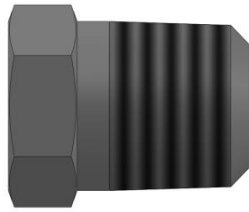
한선엔지니어링(주)
HANSUN ENGINEERING CO., LTD.



HanSun

Vent Protector

Design Standard

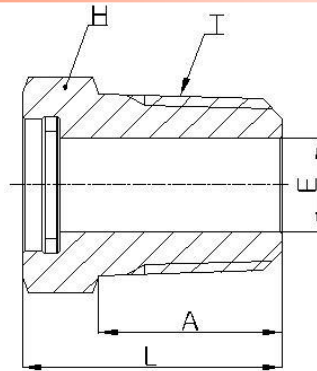


- S-LOK vent protectors, more commonly known as mud dauber fittings, protect open ends of instrument, tubing, outlet vent, and bleed-off lines.
- The mesh wire screen prevents foreign object, such as mud insects, from entering and clogging various systems and causing damage.
- Vent protectors are available in stainless steel and brass.
- Dimensions are for reference only and are subject to change without prior notice.

Material Standards

- Body construction materials : 316 Stainless steel
- Vent Protect (Mesh Size 40) : 316 Stainless steel
- Snap Ring : Stainless steel

Dimensions



Basic Ordering Number	E	T (NPT)	A	L	H
P-SVP-4N	7.1	1/4	14	19.8	14.28
P-SVP-6N	10.4	3/8	15	20.6	17.46
P-SVP-8N	10.4	1/2	19	26.2	22.22

Ordering Information

- Selection the applicable options from designators listed.

P-SVP-4N

Basic Ordering Number

S6

Body Material
 S6 : 316 Stainless Steel
 BS : Brass



27 Noksansandan361-ro, Gangseo-gu
(Songjeong-dong), Busan, Korea

Tel : +82-51-899-6700, Fax : +82-51-899-6799

E-Mail : overseas@ehansun.co.kr

sales@ehansun.co.kr

Website : www.ehansun.co.kr, www.slok.co.kr