

We · support · the
i n n o v a t i o n s · o f · c u s t o m e r s

Leak - Proof Flow & Control Solution Partner

The Best Partner
for Value Creation

BITE - DIN 2353 Non-Return Valves

HanSun

한선엔지니어링(주)
HANSUN ENGINEERING CO., LTD.



HanSun

General information

Features

- HANSUN DIN type non-return valves are designed in accordance with DIN 2353.
- The HANSUN DIN type non-return valve consists of a body, a progressive ring(sleeve) and a nut.
- The HANSUN DIN type non-return valves are designed and manufactured to produce a strong, reliable, leak-free joint upon proper assembly.

Standard Material Specifications

- Steel : Materials see DIN3859.
- Stainless Steel : X6CrNiMoTi 17122 in accordance with DIN17440, material No. 1.14571, or ASTM A479 TP316 are also available for supply.
- Brass : CuZn35Ni2 in accordance with DIN17660 / 17672, material No. 2.0540.
- Elastomer Seal : DIN 17660FPM(VITON).

Allowable working temperatures

Part	Material	Temperature
Valves	Steel	-40°C up to 120°C(DIN3859)
	Brass	-60°C up to 175°C
	316 Stainless Steel	-60°C up to 400°C(DIN17440)
Seal	FPM(e.g.Viton)	-25°C up to 200°C

Please refer to the information given in the section "Reduction of Pressure"

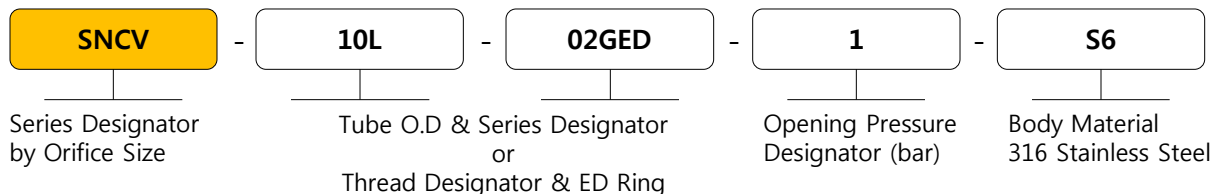
Pressure reduction with temperature

Materials of fittings	Temperature range	Reduction of pressure
Steel	-40°C up to 120°C	-
Brass	-60°C up to 175°C	30%
316 Stainless Steel	-60°C up to 20°C	-
	-60°C up to 50°C	4%
	100°C	11%
	200°C	20%
	300°C	29%
	400°C	33%

For different material of tubes and valves, the tubes must be tested separately concerning the allowed temperature range and the necessary reduction of pressure.

Ordering Information

Selection the applicable options from designators listed below.



Tube O.D Designator

Tube O.D	4mm	6mm	8mm	38mm	42mm
Identifier	4	6	8	38	42

Series Designator

Series	Very Light	Light	Heavy
Identifier	LL	L	S

Thread Designator (Pipe Thread)

Nominal Size		1/8	1/4	3/8	1/2	3/4	1	1-1/4	1-1/2
Identifier	DIN-ISO228(DIN 259) BSP/Parallel	01G	02G	03G	04G	06G	08G	10G	12G

Thread Designator (Metric Thread)

Nominal Size		M8*1.0	M10*1.0	M12*1.5	M14*1.5	M27*2.0	M33*2.0	M42*2.0	M48*2.0
Identifier	DIN-13 Parallel	M8	M10	M12	M14	M27	M33	M42	M48

Material Designator

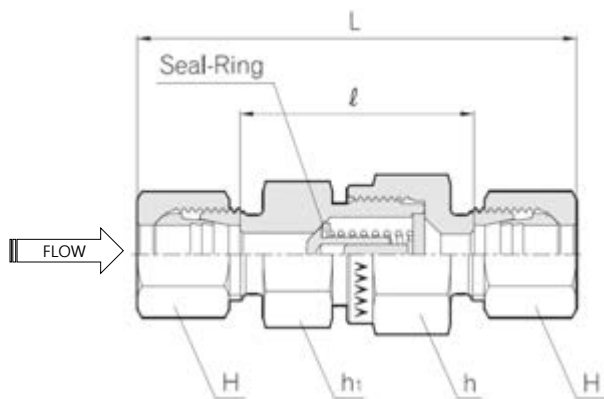
Material	Carbon Steel(DIN3859)	Stainless Steel ASTM A479 TYPE 316	Brass
Identifier	CS	S6/S6L	BS

Opening pressure

The non-return valves are tested at the factory with opening pressure of approx.1 bar. Other opening pressures, ranging from 0.5 to 3 bar, are also available on request. Cracking pressure tolerance : ± 25%.

Part Variation

SNVC



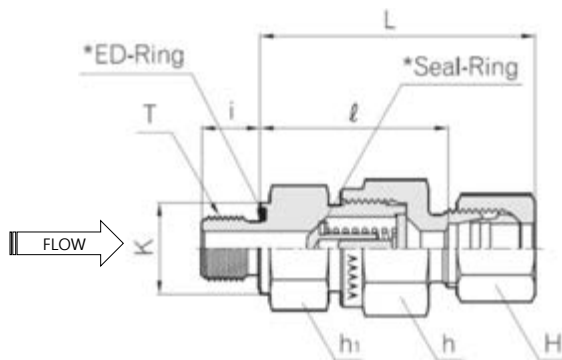
Series	Part No.	Tube O.D.	H	h	h1	L	l	PN(bar)	
								Steel	SS316
L	SNCV-06L	6	14	17	17	58.0	29.0	400	250
	SNCV-08L	8	17	19	19	59.0	30.0	400	250
	SNCV-10L	10	19	24	22	69.5	40.5	400	250
	SNCV-12L	12	22	30	27	72.5	43.5	400	250
	SNCV-15L	15	27	32	27	77.5	47.5	400	250
	SNCV-18L	18	32	36	36	83.5	51.5	400	160
	SNCV-22L	22	36	46	41	93.5	61.5	250	160
	SNCV-28L	28	41	55	50	102.5	69.5	250	100
	SNCV-35L	35	50	60	60	117.5	74.5	250	100
	SNCV-42L	42	60	70	65	119.0	74.0	250	100
S	SNCV-06S	6	17	19	19	63.5	34.5	420	400
	SNCV-08S	8	19	19	19	63.5	34.5	420	400
	SNCV-10S	10	22	24	22	72.5	40.5	420	400
	SNCV-12S	12	24	27	24	74.5	42.5	420	400
	SNCV-14S	14	27	32	27	82.5	47.5	420	315
	SNCV-16S	16	30	36	32	86.5	50.5	420	315
	SNCV-20S	20	36	46	41	97.5	54.5	420	250
	SNCV-25S	25	46	50	46	106.5	58.5	420	250
	SNCV-30S	30	50	60	60	122.5	69.5	250	250
	SNCV-38S	38	60	70	65	136.5	75.5	250	250

Dimensions are given for approximate length with tightened nut. All dimensions are in millimeters for reference only, subject to change.

*The standard Seal-Ring material is FPM(e.g.Viton) however NBR(e.g.perbuan) is also available on request.

Part Variation

SNVC GED-L/S(for BSP Paralled)



Series	Part NO.	Tube O.D.	H	h	h1	K	L	l	i	T G(PF)	PN(bar)	
											Steel	SS316
L	SNCV-01GED-06L	6	14	17	17	14	42.5	28.0	8	1/8	400	250
	SNCV-02GED-08L	8	17	19	19	19	44.5	30.0	12	1/4	400	250
	SNCV-02GED-10L	10	19	24	22	19	53	38.5	12	1/4	400	250
	SNCV-03GED-12L	12	22	30	27	22	57	42.5	12	3/8	400	250
	SNCV-04GED-15L	15	27	32	27	27	60.5	45.5	14	1/2	400	250
	SNCV-04GED-18L	18	32	36	36	27	66	50.0	14	1/2	400	160
	SNCV-06GED-22L	22	36	46	41	32	71	53.0	16	3/4	250	160
	SNCV-08GED-28L	28	41	55	50	40	79.5	63.0	18	1	250	100
	SNCV-10GED-35L	35	50	60	60	50	90.5	69.0	20	1 1/4	250	100
	SNCV-12GED-42L	42	60	70	65	55	91	68.5	22	1 1/2	250	100
S	SNCV-02GED-06S	6	17	19	19	19	46	31.5	12	1/4	420	400
	SNCV-02GED-08S	8	19	19	19	19	46	31.5	12	1/4	420	400
	SNCV-03GED-10S	10	22	24	22	22	54	38.0	12	3/8	420	400
	SNCV-03GED-12S	12	24	27	27	22	57	41.0	12	3/8	420	400
	SNCV-04GED-14S	14	27	32	27	27	62	44.5	14	1/2	420	315
	SNCV-04GED-16S	16	30	36	32	27	66	48.0	14	1/2	420	315
	SNCV-06GED-20S	20	36	46	41	32	73.5	52.0	16	3/4	420	250
	SNCV-08GED-25S	25	46	50	46	40	78.5	54.5	18	1	420	250
	SNCV-10GED-30S	30	50	60	60	50	90.5	64.0	20	1 1/4	250	250
	SNCV-12GED-38S	38	60	70	65	55	100	69.5	22	1 1/2	250	250

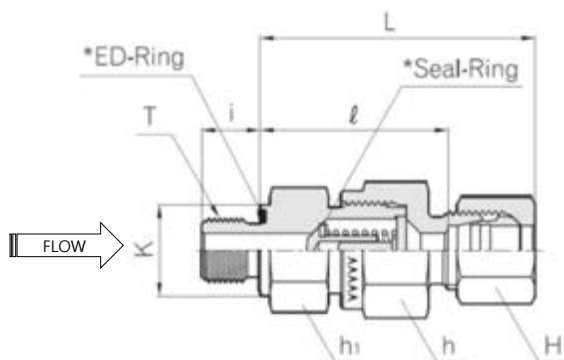
Dimensions are given for approximate length with tightened nut. All dimensions are in millimeters for reference only, subject to change.

*The standard Seal-Ring material is FPM(e.g.Viton) however NBR(e.g.perbuan) is also available on request.

*The standard ED-Ring material is NBR(e.g.perbuan) however FPM(e.g.Viton) is also available on request.

Part Variation

SNVC MED-L/S(for Metric Paralled)



Series	Part NO.	Tube O.D.	H	h	h1	K	L	l	i	T M(METRIC)	PN(bar)	
											Steel	SS316
L	SNCVM-10ED-06L	6	14	17	17	14	42.5	28.0	8	M10x1.0	400	250
	SNCVM-12ED-08L	8	17	19	19	17	43.5	30.0	12	M12x1.5	400	250
	SNCVM-14ED-10L	10	19	24	22	19	53	38.5	12	M14x1.5	400	250
	SNCVM-16ED-12L	12	22	30	27	22	57	42.5	12	M16x1.5	400	250
	SNCVM-18ED-15L	15	27	32	27	24	60.5	45.5	12	M18x1.5	400	250
	SNCVM-22ED-18L	18	32	36	36	27	66	50.0	14	M22x1.5	400	160
	SNCVM-26ED-22L	22	36	46	41	32	71	55.0	16	M26x1.5	250	160
	SNCVM-33ED-28L	28	41	55	50	40	79.5	63.0	18	M33x2.0	250	100
	SNCVM-42ED-35L	35	50	60	60	50	90.5	69.0	20	M42x2.0	250	100
	SNCVM-48ED-42L	42	60	70	65	55	91	67.5	22	M48x2.0	250	100
S	SNCVM-12ED-06S	6	17	19	19	17	46	31.5	12	M12x1.5	420	400
	SNCVM-14ED-08S	8	19	19	19	19	46	31.5	12	M14x1.5	420	400
	SNCVM-16ED-10S	10	22	24	22	22	54	38.0	12	M16x1.5	420	400
	SNCVM-18ED-12S	12	24	27	24	24	57	41.0	12	M18x1.5	420	400
	SNCVM-20ED-14S	14	27	32	27	26	62	44.5	14	M20x1.5	420	315
	SNCVM-22ED-16S	16	30	36	32	27	66	48.0	14	M22x1.5	420	315
	SNCVM-27ED-20S	20	36	46	41	32	73.5	52.0	16	M27x2.0	420	250
	SNCVM-33ED-25S	25	46	50	46	40	78.5	54.5	18	M33x2.0	420	250
	SNCVM-42ED-30S	30	50	60	60	50	90.5	64.0	20	M42x2.0	250	250
	SNCVM-48ED-38S	38	60	70	65	55	100	69.5	22	M48x2.0	250	250

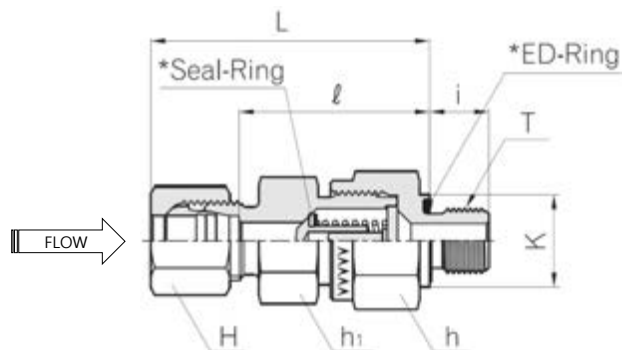
Dimensions are given for approximate length with tightened nut. All dimensions are in millimeters for reference only, subject to change.

*The standard Seal-Ring material is FPM(e.g.Viton) however NBR(e.g.perbuan) is also available on request.

*The standard ED-Ring material is NBR(e.g.perbuan) however FPM(e.g.Viton) is also available on request.

Part Variation

SNVC L/S-GED(for BSP Paralled)



Series	Part No.	Tube O.D.	H	h	h1	K	L	l	i	PN(bar)			
										T	Steel	SS316	
											G(PF)		
L	SNCV-06L-01GED	6	14	17	17	14	41.0	26.5	8	1/8	400	250	
	SNCV-08L-02GED	8	17	19	19	19	43.0	28.5	12	1/4	400	250	
	SNCV-10L-02GED	10	19	24	22	19	53.0	38.5	12	1/4	400	250	
	SNCV-12L-03GED	12	22	30	27	22	55.0	40.5	12	3/8	400	250	
	SNCV-15L-04GED	15	27	32	27	27	57.5	42.5	14	1/2	400	250	
	SNCV-18L-04GED	18	32	36	36	27	64.0	48.0	14	1/2	400	160	
	SNCV-22L-06GED	22	36	46	41	32	72.0	56.0	16	3/4	250	160	
	SNCV-28L-08GED	28	41	55	50	40	80.5	64.0	18	1	250	100	
	SNCV-35L-10GED	35	50	60	60	50	91.5	70.0	20	1 1/4	250	100	
	SNCV-42L-12GED	42	60	70	65	55	93.0	70.5	22	1 1/2	250	100	
S	SNCV-06S-02GED	6	17	19	19	19	46.0	31.5	12	1/4	420	400	
	SNCV-08S-02GED	8	19	19	19	19	46.0	31.5	12	1/4	420	400	
	SNCV-10S-03GED	10	22	24	22	22	54.0	38.0	12	3/8	420	400	
	SNCV-12S-03GED	12	24	27	24	22	57.0	41.0	12	3/8	420	400	
	SNCV-14S-04GED	14	27	32	27	27	61.0	43.5	14	1/2	420	315	
	SNCV-16S-04GED	16	30	36	32	27	64.0	46.0	14	1/2	420	315	
	SNCV-20S-06GED	20	36	46	41	32	71.5	50.0	16	3/4	420	250	
	SNCV-25S-08GED	25	46	50	46	40	78.5	54.5	18	1	420	250	
	SNCV-30S-10GED	30	50	60	60	50	90.5	64.0	20	1 1/4	250	250	
	SNCV-38S-12GED	38	60	70	65	55	102.0	71.5	22	1 1/2	250	250	

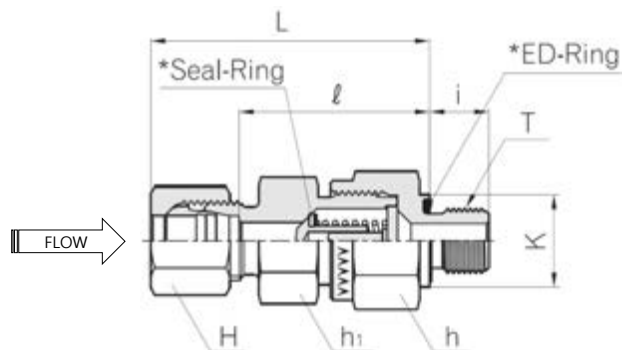
Dimensions are given for approximate length with tightened nut. All dimensions are in millimeters for reference only, subject to change.

*The standard Seal-Ring material is FPM(e.g.Viton) however NBR(e.g.perbuan) is also available on request.

*The standard ED-Ring material is NBR(e.g.perbuan) however FPM(e.g.Viton) is also available on request.

Part Variation

SNVC L/S-MED(for Metric Paralled)



Series	Part No.	Tube O.D.	H	h	h1	K	L	l	i	T		PN(bar)	
										M (METRIC)	Steel	SS316	
L	SNCV-06L-M10ED	6	14	17	17	14	41.0	26.5	8	M10 x 1.0	400	250	
	SNCV-08L-M12ED	8	17	19	19	17	43.0	28.5	12	M12 x 1.5	400	250	
	SNCV-10L-M14ED	10	19	24	22	19	53.0	38.5	12	M14 x 1.5	400	250	
	SNCV-12L-M16ED	12	22	30	27	22	55.0	40.5	12	M16 x 1.5	400	250	
	SNCV-15L-M18ED	15	27	32	27	24	57.5	42.5	12	M18 x 1.5	400	250	
	SNCV-18L-M22ED	18	32	36	36	27	64.0	48.0	14	M22 x 1.5	400	160	
	SNCV-22L-M26ED	22	36	46	41	32	72.0	56.0	16	M26 x 1.5	250	160	
	SNCV-28L-M33ED	28	41	55	50	40	80.5	64.0	18	M33 x 2.0	250	100	
	SNCV-35L-M42ED	35	50	60	60	50	91.5	70.0	20	M42 x 2.0	250	100	
	SNCV-42L-M48ED	42	60	70	65	55	93.0	70.5	22	M48 x 2.0	250	100	
S	SNCV-06S-M12ED	6	17	19	19	17	46.0	31.5	12	M12 x 1.5	420	400	
	SNCV-08S-M14ED	8	19	19	19	19	46.0	31.5	12	M14 x 1.5	420	400	
	SNCV-10S-M16ED	10	22	24	22	22	54.0	38.0	12	M16 x 1.5	420	400	
	SNCV-12S-M18ED	12	24	27	24	24	57.0	41.0	12	M18 x 1.5	420	400	
	SNCV-14S-M20ED	14	27	32	27	26	61.0	43.5	14	M20 x 1.5	420	315	
	SNCV-16S-M22ED	16	30	36	32	27	64.0	46.0	14	M22 x 1.5	420	315	
	SNCV-20S-M27ED	20	36	46	41	32	71.5	50.0	16	M27 x 2.0	420	250	
	SNCV-25S-M33ED	25	46	50	46	40	78.5	54.5	18	M33 x 2.0	420	250	
	SNCV-30S-M42ED	30	50	60	60	50	90.5	64.0	20	M42 x 2.0	250	250	
	SNCV-38S-M48ED	38	60	70	65	55	102.0	71.5	22	M48 x 2.0	250	250	

Dimensions are given for approximate length with tightened nut. All dimensions are in millimeters for reference only, subject to change.

*The standard Seal-Ring material is FPM(e.g.Viton) however NBR(e.g.perbuan) is also available on request.

*The standard ED-Ring material is NBR(e.g.perbuan) however FPM(e.g.Viton) is also available on request.