

W e · s u p p o r t · t h e
i n n o v a t i o n s · o f · c u s t o m e r s

Leak - Proof Flow & Control Solution Partner

The Best Partner
for Value Creation

S-LOK[®] Diaphragm Valves

HanSun

한선엔지니어링(주)
HANSUN ENGINEERING CO., LTD.



S-LOK Diaphragm Valves

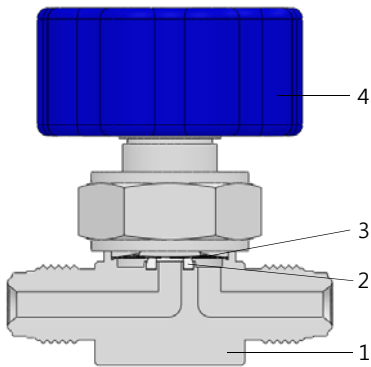
Low Pressure Diaphragm Valves

Features

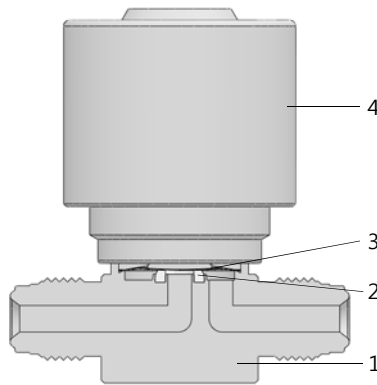
- 316L Stainless steel body material
(Single or double melting materials available)
- Ni-Co alloy material diaphragm for strength and corrosion resistance
- Fully contained seat design minimizes particle generation
- Maximize flow capacity & minimize entrapment areas
- Optimal design for long cycle life
- Manual and pneumatic actuator



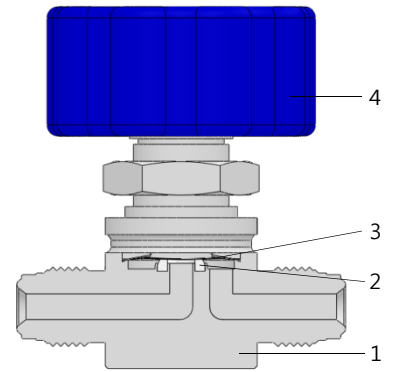
Models



Standard Type – Manual Actuator



Standard Type – Pneumatic Actuator



Forged Body Type – Manual Actuator

Product Grade

Level	Inner Surface Roughness			Polishing
	Ry (Ra)	Cut off Length	Measuring Length	
AP	≤ 25 μm	2.5 mm	12.5 mm	Machining Finish
BA	≤ 3.0 μm (10 μ inch)	0.8 mm	4 mm	Machining Finish
EP	≤ 0.7 μm (5 μ inch)	0.25 mm	1.25 mm	Electro Polishing Finish

Materials of Construction

No.	Component	Material
1	Body	316L Stainless Steel (Single & Double Melt)
2	Seat	PCTFE
3	Diaphragm	Ni-Co Alloy
4	Actuator	Aluminum

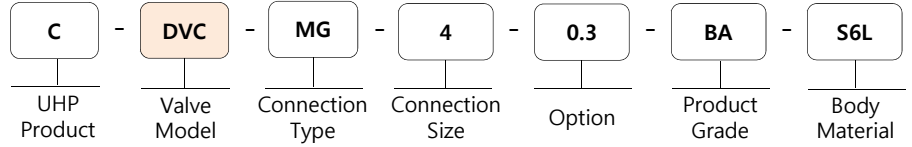
Specifications

Size in.	Working Pressure Bar (psig)	Temperature Rating °C (°F)	Flow Coefficient (Cv)	Orifice mm (in.)	Internal Leakage Allowance (He)	External Leakage Allowance (He)	Particle Inspection (EP) (0.1 μm and Larger)
1/4	10 (145)	-10 ~ 80 (-23 ~ 176)	0.3	4.5 (0.18)	≤ 1 x 10 ⁻⁹ std cm ³ /s Holding Time: 30 sec	≤ 1 x 10 ⁻⁹ std cm ³ /s Holding Time: 1 min	No count Pressure: 60~80psi N2 Gas Sample Volume: 1 CFM
3/8, 1/2, 3/4			0.7	7.0 (0.27)			

S-LOK Diaphragm Valves

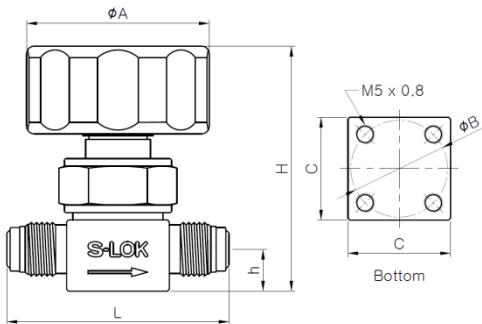
Ordering Information and Dimension

- Body material & Designator
 - **S6L** : Stainless Steel 316L
 - **S6LV** : Single Melting 316L
 - **S6LVV** : Double Melting 316L
- Product Grade
 - **AP** : AP Grade
 - **BA** : BA Grade
 - **EP** : EP Grade
- Option
 - **Nil** : No Bleed
 - **0.3** : Constant Bleed $\varnothing 0.3$
 - **0.6** : Constant Bleed $\varnothing 0.6$
 - **PO** : Pneumatic Actuator – Normally Open
 - **PC** : Pneumatic Actuator – Normally Closed



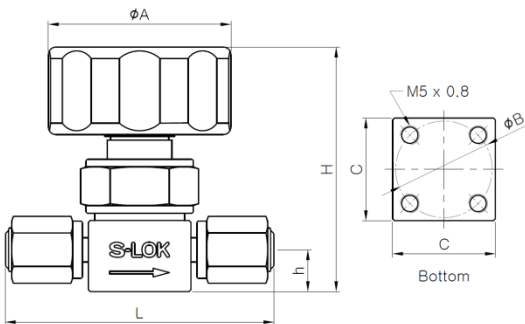
Standard Type – Manual Actuator

Metal Face Seal - Male



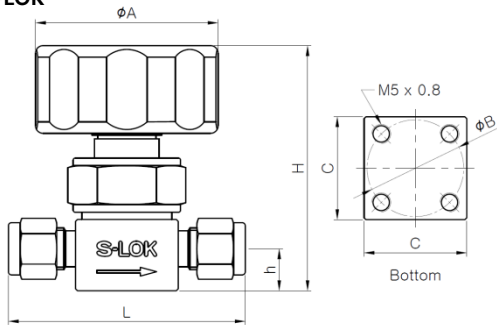
Basic Ordering Number	Size inch	Dimensions, mm					
		L	h	H	A	B	C
C-DVC-MG-4	1/4	57.0	11.0	64.3	40.0	25.4	26.0
C-DVC-MG-6	3/8	76.2	16.0	76.8	40.0	28.0	37.0
C-DVC-MG-8	1/2	76.2	16.0	76.8	40.0	28.0	37.0
C-DVC-MG-12	3/4	122.0	22.0	82.8	40.0	28.0	37.0

Metal Face Seal - Female



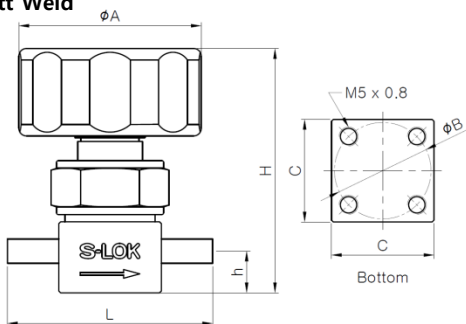
Basic Ordering Number	Size inch	Dimensions, mm					
		L	h	H	A	B	C
C-DVC-FG-4	1/4	70.6	11.0	64.3	40.0	25.4	26.0
C-DVC-FG-6	3/8	83.0	16.0	76.8	40.0	28.0	37.0
C-DVC-FG-8	1/2	83.0	16.0	76.8	40.0	28.0	37.0
C-DVC-FG-12	3/4	122.0	22.0	82.8	40.0	28.0	37.0

S-LOK



Basic Ordering Number	Size inch	Dimensions, mm					
		L	h	H	A	B	C
C-DVC-S-4T	1/4	69.5	11.0	64.3	40.0	25.4	26.0
C-DVC-S-6T	3/8	82.5	16.0	76.8	40.0	28.0	37.0
C-DVC-S-8T	1/2	91.0	16.0	76.8	40.0	28.0	37.0
C-DVC-S-12T	3/4	106.0	22.0	82.8	40.0	28.0	37.0

Butt Weld



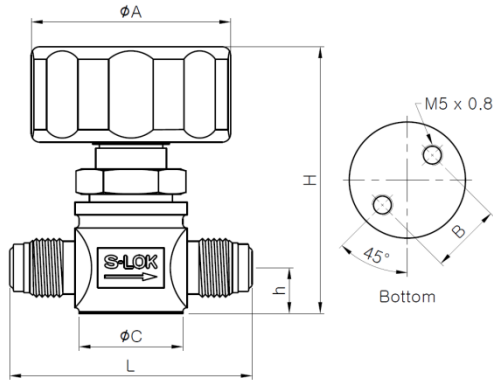
Basic Ordering Number	Size inch	Dimensions, mm					
		L	h	H	A	B	C
C-DVC-BW-4T	1/4	54.0	11.0	64.3	40.0	25.4	26.0
C-DVC-BW-6T	3/8	69.0	16.0	76.8	40.0	28.0	37.0
C-DVC-BW-8T	1/2	69.0	16.0	76.8	40.0	28.0	37.0
C-DVC-BW-12T	3/4	150.0	22.0	82.8	40.0	28.0	37.0

S-LOK Diaphragm Valves

Ordering Information and Dimension

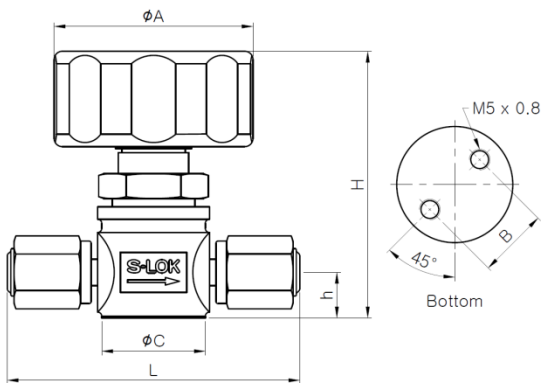
Forged Body Type – Manual Actuator

Metal Face Seal - Male



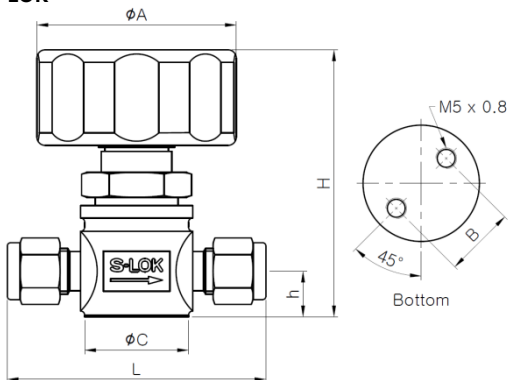
Basic Ordering Number	Size inch	Dimensions, mm					
		L	h	H	A	B	C
C-DVF-MG-4	1/4	58.0	11.0	66.0	40.0	17.0	28.0
C-DVF-MG-6	3/8	76.0	16.0	77.0	40.0	28.0	38.0
C-DVF-MG-8	1/2	76.0	16.0	77.0	40.0	28.0	38.0
C-DVF-MG-12	3/4	122.0	22.0	85.0	40.0	28.0	38.0

Metal Face Seal - Female



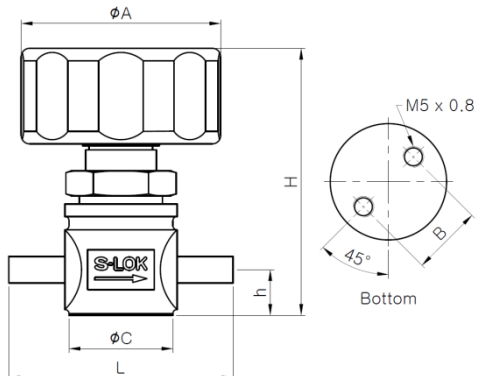
Basic Ordering Number	Size inch	Dimensions, mm					
		L	h	H	A	B	C
C-DVF-FG-4	1/4	78.0	11.0	66.0	40.0	17.0	28.0
C-DVF-FG-6	3/8	105.0	16.0	77.0	40.0	28.0	38.0
C-DVF-FG-8	1/2	105.0	16.0	77.0	40.0	28.0	38.0
C-DVF-FG-12	3/4	122.0	22.0	85.0	40.0	28.0	38.0

S-LOK



Basic Ordering Number	Size inch	Dimensions, mm					
		L	h	H	A	B	C
C-DVF-S-4T	1/4	69.3	11.0	66.0	40.0	17.0	28.0
C-DVF-S-6T	3/8	82.5	16.0	77.0	40.0	28.0	38.0
C-DVF-S-8T	1/2	90.2	16.0	77.0	40.0	28.0	38.0
C-DVF-S-12T	3/4	106.0	22.0	85.0	40.0	28.0	38.0

Butt Weld



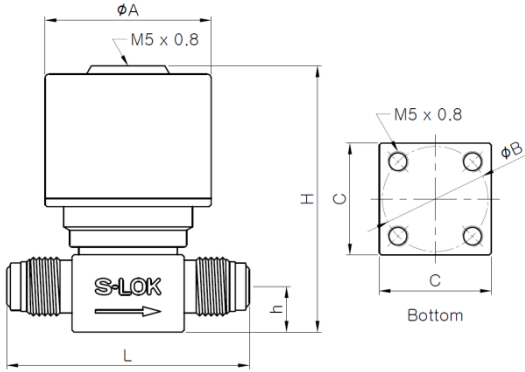
Basic Ordering Number	Size inch	Dimensions, mm					
		L	h	H	A	B	C
C-DVF-BW-4T	1/4	135.0	11.0	66.0	40.0	17.0	28.0
C-DVF-BW-6T	3/8	147.0	16.0	77.0	40.0	28.0	38.0
C-DVF-BW-8T	1/2	147.0	16.0	77.0	40.0	28.0	38.0
C-DVF-BW-12T	3/4	150.0	22.0	85.0	40.0	28.0	38.0

S-LOK Diaphragm Valves

Ordering Information and Dimension

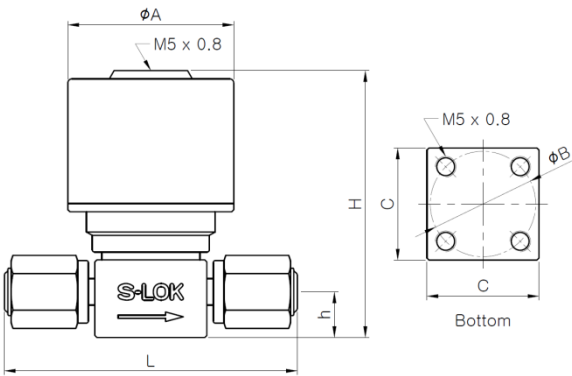
Standard Type – Pneumatic Actuator : Actuation Pressure 4 ~ 7bar (58 ~101psig)

Metal Face Seal - Male



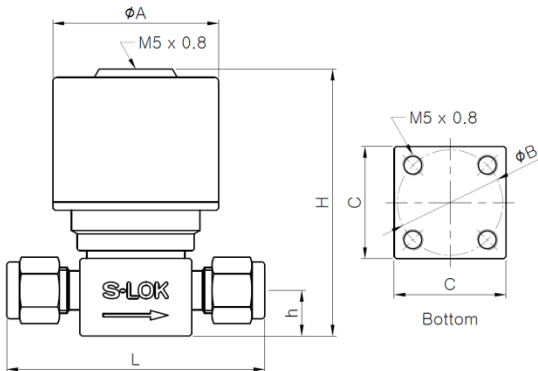
Basic Ordering Number	Size inch	Dimensions, mm					
		L	h	H	A	B	C
C-DVCP-MG-4	1/4	57.0	11.0	64.3	40.0	25.4	26.0
C-DVCP-MG-6	3/8	76.2	16.0	83.8	55.0	28.0	37.0
C-DVCP-MG-8	1/2	76.2	16.0	83.8	55.0	28.0	37.0
C-DVCP-MG-12	3/4	122.0	22.0	89.8	55.0	28.0	37.0

Metal Face Seal - Female



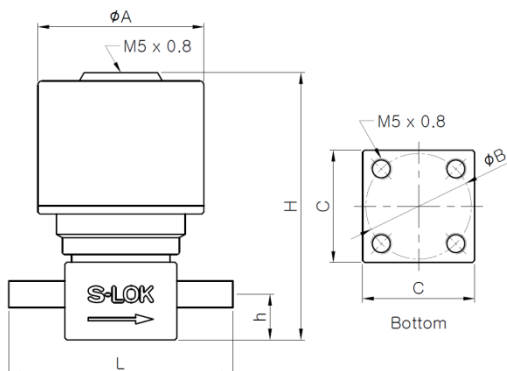
Basic Ordering Number	Size inch	Dimensions, mm					
		L	h	H	A	B	C
C-DVCP-FG-4	1/4	70.6	11.0	64.3	40.0	25.4	26.0
C-DVCP-FG-6	3/8	83.0	16.0	83.8	55.0	28.0	37.0
C-DVCP-FG-8	1/2	83.0	16.0	83.8	55.0	28.0	37.0
C-DVCP-FG-12	3/4	122.0	22.0	89.8	55.0	28.0	37.0

S-LOK



Basic Ordering Number	Size inch	Dimensions, mm					
		L	h	H	A	B	C
C-DVCP-S-4T	1/4	69.5	11.0	64.3	40.0	25.4	26.0
C-DVCP-S-6T	3/8	82.5	16.0	83.8	55.0	28.0	37.0
C-DVCP-S-8T	1/2	91.0	16.0	83.8	55.0	28.0	37.0
C-DVCP-S-12T	3/4	106.0	22.0	89.8	55.0	28.0	37.0

Butt Weld



Basic Ordering Number	Size inch	Dimensions, mm					
		L	h	H	A	B	C
C-DVCP-BW-4T	1/4	54.0	11.0	64.3	40.0	25.4	26.0
C-DVCP-BW-6T	3/8	69.0	16.0	83.8	55.0	28.0	37.0
C-DVCP-BW-8T	1/2	69.0	16.0	83.8	55.0	28.0	37.0
C-DVCP-BW-12T	3/4	150.0	22.0	89.8	55.0	28.0	37.0

 27 Noksansandan361-ro, Gangseo-gu
(Songjeong-dong), Busan, Korea
Tel : +82-51-899-6700, Fax : +82-51-899-6799
E-Mail : overseas@ehansun.co.kr
sales@ehansun.co.kr
Website : www.ehansun.co.kr, www.slok.co.kr